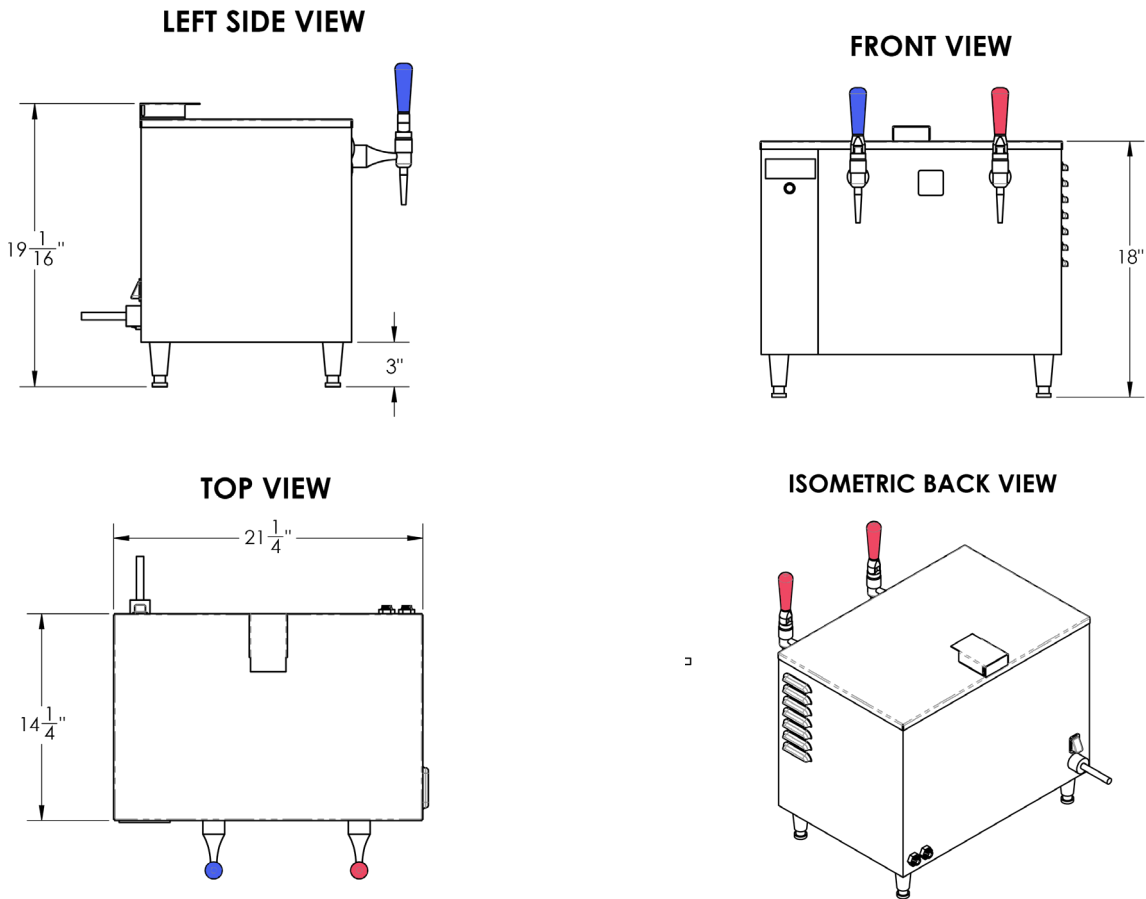


D300 High Volume Heated Dispenser

Heated Dispenser Dimensions



D300 Dispenser Specifications

Dispensing Speed	96 ounces per minute - 6 -16 ounce cups.
Dispensing Temperature (hot)	Factory set at 175 degrees (F) - can be changed by customer
Product Types	Cold brew and nitro Coffee, Tea, mulled wine, Chocolate Milk, broth, etc.
Watts	5000 watts
Voltage	220 VAC
Amperage Draw	22.5 Amps
Hz	60 Hz, single Phase
Gas pressure	36 psi - stout faucet w/ screen; 25 psi standard faucet or stout faucet w/o screen
Product Packaging Type	Kegs, soda tanks, BiB's, other bulk packaging

Dispensing Unit Notes

- D300 is available in the following faucet configurations: 1 hot, 2 hot , 1 hot/1 cold, & 2 hot/2 cold
- D300 can be installed with or without the legs. Health regulations may require additional trim if no legs used
- Utilizes Nitro, CO2 or compressed air - depending on product and bulk packaging used